

UNIC

UNIC

V230

FURUKAWA UNIC

V230

Truck-Mounted UNIC Crane UR-V230 SERIES
For Light-Duty truck.

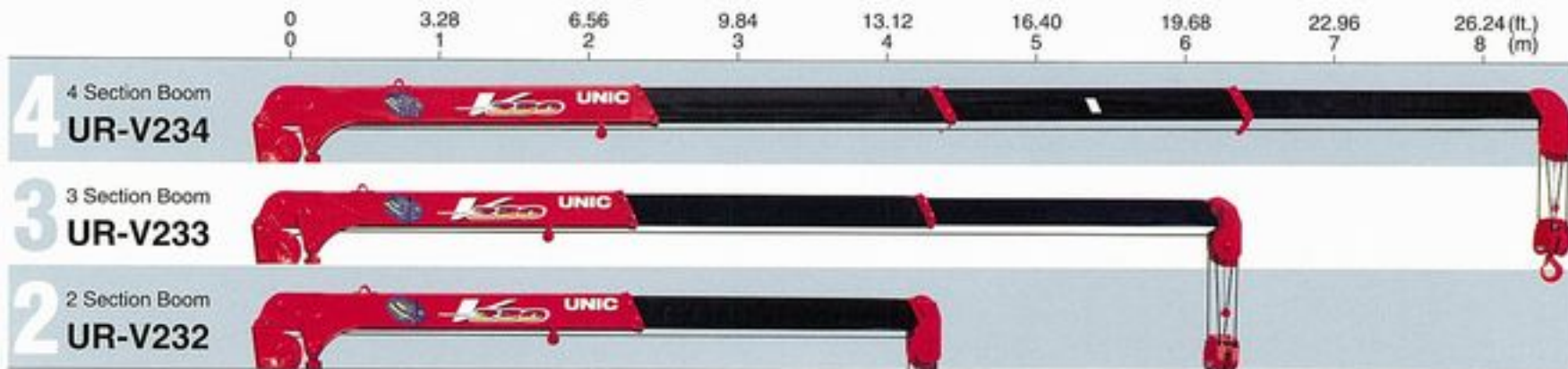
maximum lifting capacity. **2,330 kg.**

9.5 m. maximum hook height
(4 section boom).



FURUKAWA UNIC CORPORATION

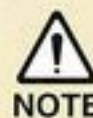
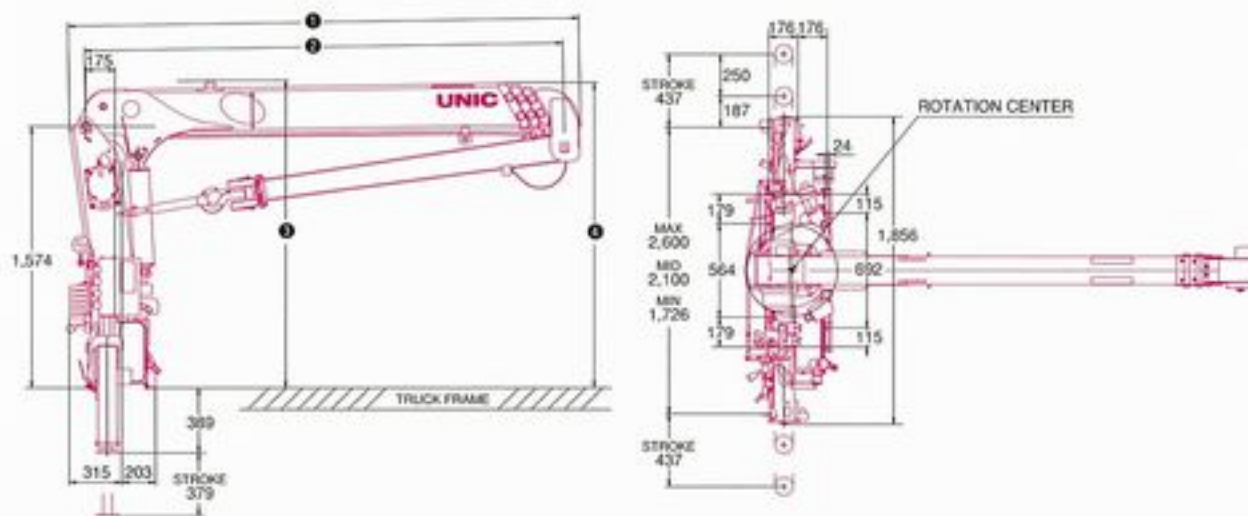
UNIC UR-V230 Series Line-up



Specifications Table

UR-V230 series		UR-V234	UR-V233	UR-V232
Maximum Lifting Capacity	lbs.	5,135 lbs. at 5.58 ft.	5,135 lbs. at 5.58 ft.	5,135 lbs. at 5.58 ft.
	kg.	2,330 kg. at 1.7 m.	2,330 kg. at 1.7 m.	2,330 kg. at 1.7 m.
Maximum Hook Height	ft.	Max. 31.16 ft.	Max. 24.27 ft.	Max. 17.71 ft.
	m.	Max. 9.5 m.	Max. 7.4 m.	Max. 5.4 m.
Maximum Working Radius	ft.	Min. 2.23 ft. to Max. 27.65 ft.	Min. 1.97 ft. to Max. 20.43 ft.	Min. 1.94 ft. to Max. 13.87 ft.
	m.	Min. 0.68 m. to Max. 8.43 m.	Min. 0.60 m. to Max. 6.23 m.	Min. 0.59 m. to Max. 4.23 m.
Boom Length	ft.	Min. 9.41 ft. to Max. 28.21 ft.	Min. 8.50 ft. to Max. 20.99 ft.	Min. 8.20 ft. to Max. 14.43 ft.
	m.	Min. 2.87 m. to Max. 8.60 m.	Min. 2.59 m. to Max. 6.40 m.	Min. 2.50 m. to Max. 4.40 m.
Boom Sections		4	3	2
Boom Raising Angle		Min. 1° to Max. 76°		
Slewing Angle		360° Continuous		

Drawing: UR-V234 (Unit: mm)



NOTE

1. Rated loads shown in the chart are based on the crane strength with the outriggers fully extended on a firm level ground and on the actual working radius including the deflection of boom.
2. The weights of hook (66 Lbs. / 30 kg.), slings, and any accessories attached to the boom or loadline must be deducted from the above capacities in the chart.
3. Capacities shown must reduce in accordance with vehicle weight and loaded condition of truck, crane mounting position, and operating speed.
4. The figures in relation to the speed are on the basis of no-load running at rated oil flow conditions.
5. In accordance with our policy of constant product improvement, all specifications are subject to change without notice or obligations.



HOOK
+
SLINGS
+
LOAD
=
RATED LOAD

Crane Mounting Dimensions				
Crane Model	①	②	③	④
UR-V234	3,065	Min. 2,870 ~ Mid. 4,800 ~ 6,700 ~ Max. 8,600	1,849	1,840
UR-V233	2,784	Min. 2,590 ~ Mid. 4,520 ~ Max. 6,400	1,826	1,816
UR-V232	2,694	Min. 2,500 ~ Max. 4,400	1,826	1,816

FURUKAWA UNIC CORPORATION

Head Office: Center Bldg., 3-12, Higashishinagawa 2-chome, Shinagawa-ku, TOKYO 140-0002 JAPAN
 Phone: (81-3) 5460-4161 / Facsimile: (81-3) 5460-4191
 URL <http://www.furukawaunic.co.jp/>